

ABSS Turbine Blast Machine

Model GW18 Tumble Blaster



In the competitive world of today's industry, economical surface finishing is important. The ABSS range of Blast Machines offer a total solution to mass finishing, whether you need a single small machine or a complete system, the ABSS-GW range offer single load capacities of 75-1000kgs or more with system integration.

The GW18 Shot Blasting Machine is suitable for a wide range of surface cleaning applications. As the work is gently tumbled inside the machine, the fixed turbine blast cleans each face of the component as it is presented.

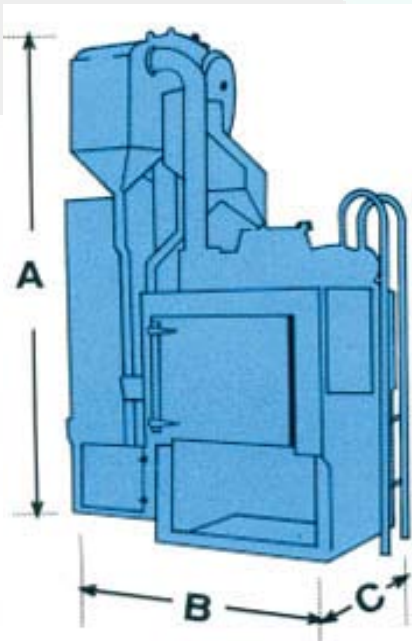
After the blasting operation has been completed, reversing the direction of the rubber belt conveyor discharges the work pieces from the machine. The belt is manufactured from a high wear-resistant rubber. It is extremely durable and ensures the components are not damaged during the cycle. Inside the blasting chamber, wear resistant alloy plates are incorporated to increase the life of the machine. They are easily accessible for replacement purposes.

"Not previously having been involved with Abrasive Blasting, we have found the GW18 Tumble Blaster a simple machine to operate and is showing significant dollar savings and much improved turnaround times. We estimate at this stage that we will show a return on our investment in less than 16 weeks."
 Lou Surace, Director, Defence Coatings, Wingfield, SA.

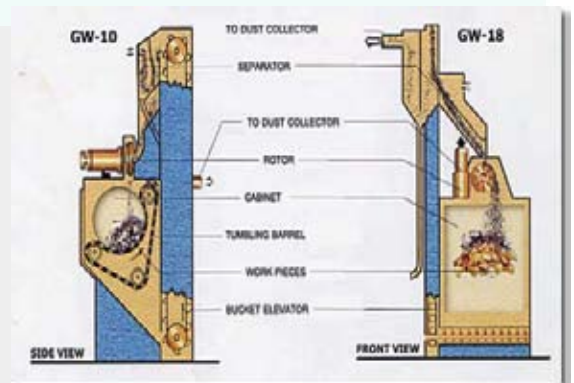


SPECIFICATION

Max. Capacity Projection	90kg/min
Cabinet (mm)	Ø700 x 800
Max Loading Weight	300kgs
Net Weight	2550kgs
Power: -	
Rotor Wheel	7.5kW
Bucket Elevator	0.4kW
Barrel Drive	0.4kW
Dust Collector	0.75kW
Dimensions: -	
A	3500mm
B	2700mm
C	1200mm



CALL NOW
1300 727 240



For all your blast cleaning, abrasive, equipment and parts needs

18 Beckett Ave, Keilor East, Victoria, Australia 3033
 Melbourne Head Office Ph: 1300 727 240
 Adelaide Office Ph: 0430 391 926

Email info@abss.net.au

www.abss.net.au